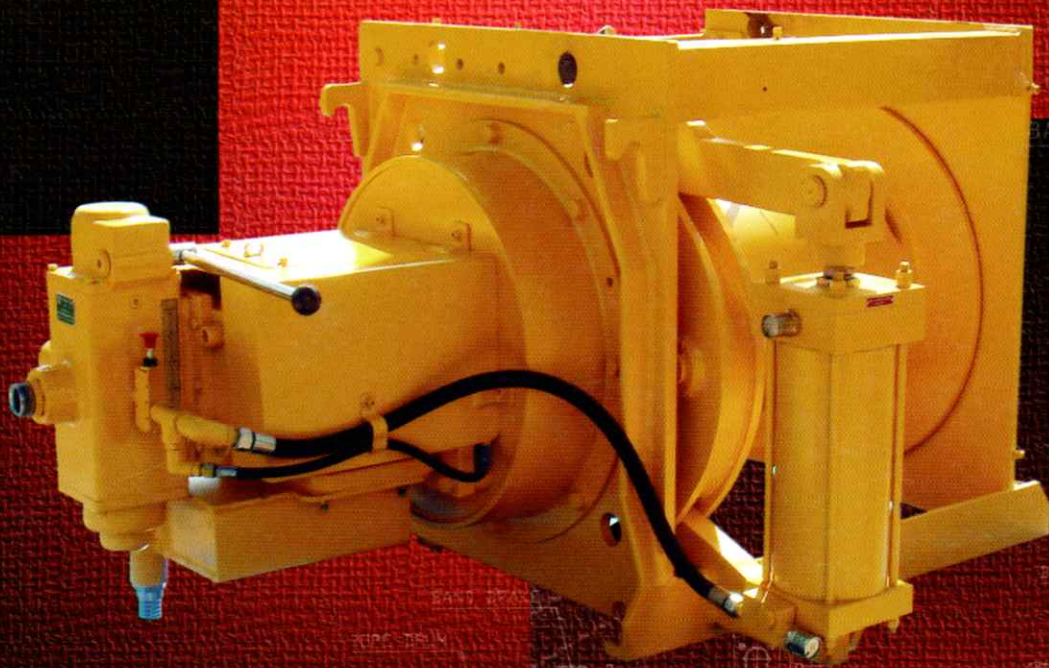




IEC DÜSTERLOH PVT. LTD.

AIR WINCHES



FORCE IN MOTION

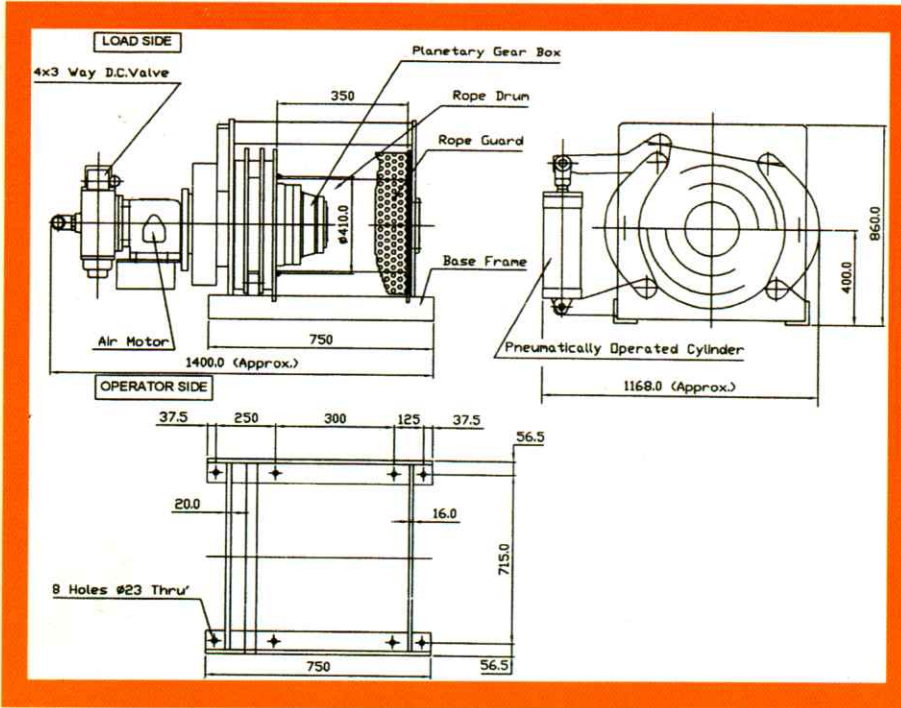
- * PLANETARY GEAR BOX
- * GEAR ROTOR TYPE AIR MOTOR
- * HAND OPERATED SELF LOCKING BAND BRAKE

IEC Dusterloh an ISO 9001-2008 Certified Company manufacturing Air Winches, Air Geared Rotor Motors in collaboration with G Dusterloh GmbH, Germany who are the pioneers in the field of Pneumatics and Hydraulics.

IEC Dusterloh Air Winches offers several unique appealing features and advantages which makes IEC Dusterloh a preferred choice where material and personal handling play an important role. No wonder over 130 plus winches are being used all across India in following sectors. Oil Platforms, Refineries and Chemical Plants, Supply Vessels and Ships, Construction and Infra Structure Projects. IEC Dusterloh also offers comprehensive range of material handling winches ideally suitable for heavy duty application and duty cycles.

IDMW-06-2500

AIR OPERATED MATERIAL HANDLING WINCH 2.5 TONNE



Some of the unique features of the winches:

- Compact and Robust design
- The Air Winches are equipped with automatic double caliper braking system which offers instantaneous braking.
- The Winch is operated by a single lever which controls the lifting and lowering of the load. The same lever also controls the automatic braking system which is of great convenience to the operator.
- Large drum diameter facilitates tight and even winding of wire rope which enhances the life of wire rope.
- IEC Dusterloh Winches are suitable for onshore and offshore applications demanding continuous heavy duty applications.
- IEC Dusterloh Air Winches are suitably coated with paint to protect against corrosion and extreme corrosive conditions on the oil rigs.

Model : IDMW-06-2500

- Gear Rotor Type Air Motor.
- Planetary gear box.
- Pneumatically operated Double Caliper Brake System.
- Hand operated 4 x 3 way Direction Control Valve.

Standard Accessories :

- Rope Wedge
- 1 1/2" Lubricator
- Foundation Bolts - M22 x110 mm with hex nuts and spring washers - 8 nos. each.
- Spanners - 45 mm
- Silencer hose & hose clip.
- Grease Gun

Pneumatic Drive IDMK - 8, Winch and Rope Characteristics

Layer	Rope Pull Kg.	Rope Speed M/Sec.	Weight without Rope Kg. (approx.)	Rope Dia MM	Rope Capacity Mtr.	Air Hose [ID] MM	Speed RPM	Power Max.	Air Inlet BSP	Air Consm. Nm ³ /min	Air Pressure
MID	2500	0.37	1000	16	240	32	2000	11.7 Kw	1 1/2"	13.5	6 bar

Brake: Pneumatically Operated Double Caliper Brake

Specifications are subject to change without prior notice.

Caution : This winch is not to be used for transportation of personnel.

- Winches conform to ASME B30.7-2001 standard.
- All products are made in India. Easy availability of spare parts at competitive prices.
- IEC Dusterloh undertakes modification of existing winches to meet customer specifications provided the same is in the scope of modification.



IEC DUSTERLOH PVT. LTD.

H.O. : IEC House, 1145 Shivajinagar, Off. F. C. Road,
Pune - 411 016, India. Tel. : 020 - 25651241, 25651484
: 020 - 25651582 Email : sales@iecdusterloh.com
Factory : S. No. 324, Pune-Solapur Highway,
Post Kedgaon, Taluka Daund, Dist. Pune - 412 203.
: 02119 - 288167 Telefax : 02119 - 223294

Authorised Distributor



Branch Offices : Ahmedabad: Tel. : 079 - 26583129 **Bangalore:** Tel. : 080 - 23133530 Fax : 080 - 41553329 **Chennai:** Tel. : 044 - 28266584, Fax : 044 - 28255687
Coimbatore: Tel. : 0422 - 2526787 **Delhi:** Tel. : 011 - 22710331 / 32, M. : 09310855410 **Jamshedpur:** Tel. : 0657 - 2443110
Kolkatta: Tel. : 033 - 22270942 **Mumbai:** Mobile: 9763729651 **Pune Sales Office:** Tel. : 020 - 27462241 Telefax : 020 - 27462234

Visit us at : www.iecdusterloh.com